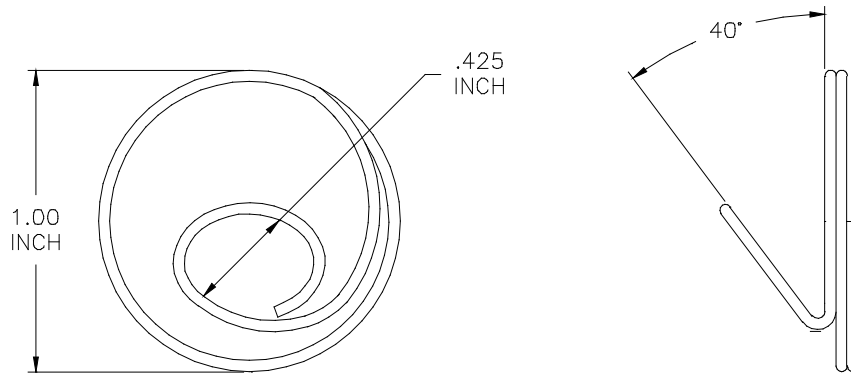




Capsule Sinker Specifications Breath Film



CAPWHT-PC

Material	316L Stainless
Finish	Electropolished
Wire Diameter	.037 inches

Ordering Information:

QLA Capsule and Film Sinkers come in a wide range of sizes to fit all dissolution applications, contact your Quality Lab Accessories sales representative to order others sizes we carry, Or refer to our web site at www.qla-llc.com to see all our product line.