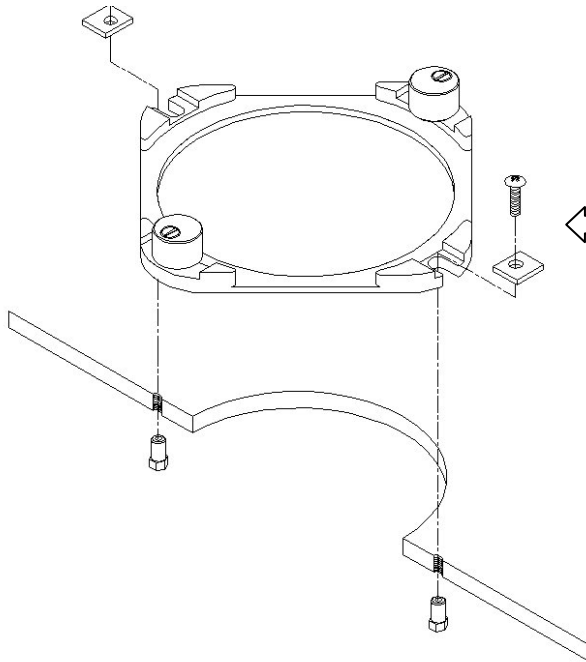




QUALITY LAB ACCESSORIES

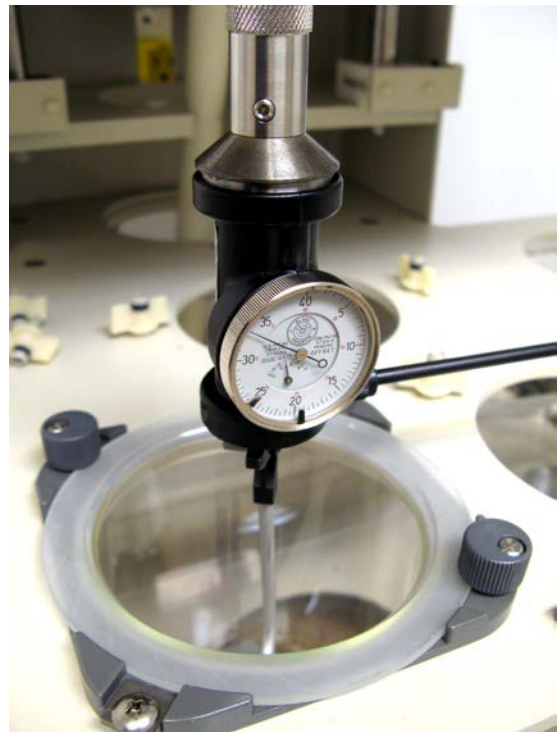
AccuCenter Dissolution Vessel Centering Ring Alignment VANKEL/VARIAN

ACCUBKT-VK, Rev 2.0



Install the AccuCenter ring onto the vessel backing plate in Figure (1) Install screws into positions with the square washer (Large End) facing outward and backing nuts under the vessel plate as shown, snug screws down but do not tighten.

Place the UltraCenter Dissolution Vessel into the Bracket and secure with the hold down knobs.



Install the Centering Gage and run the dissolution test machine at 25 Rpm's.

While the dissolution test machine is running adjust the AccuCenter ring until the indicator of the centering gage reads $\leq 0.10\text{mm}$, After adjustments have been made, tighten mounting screws.

YOUR DISSOLUTION SPECIALISTS